



BUILDING CODE COMPLIANCE OFFICE (BCCO)  
PRODUCT CONTROL DIVISION

MIAMI-DADE COUNTY, FLORIDA  
METRO-DADE FLAGLER BUILDING  
140 WEST FLAGLER STREET, SUITE 1603  
MIAMI, FLORIDA 33130-1563  
(305) 375-2901 FAX (305) 372-6339

**NOTICE OF ACCEPTANCE (NOA)**

[www.miamidade.gov/buildingcode](http://www.miamidade.gov/buildingcode)

Crawford Tracey Corporation  
3301 SW 13<sup>th</sup> Drive  
Deerfield Beach, FL 33442

**SCOPE:**

This NOA is being issued under the applicable rules and regulations governing the use of construction materials. The documentation submitted has been reviewed by Miami-Dade County Product Control Division and accepted by the Board of Rules and Appeals (BORA) to be used in Miami Dade County and other areas where allowed by the Authority Having Jurisdiction (AHJ).

This NOA shall not be valid after the expiration date stated below. The Miami-Dade County Product Control Division (In Miami Dade County) and/or the AHJ (in areas other than Miami Dade County) reserve the right to have this product or material tested for quality assurance purposes. If this product or material fails to perform in the accepted manner, the manufacturer will incur the expense of such testing and the AHJ may immediately revoke, modify, or suspend the use of such product or material within their jurisdiction. BORA reserves the right to revoke this acceptance, if it is determined by Miami-Dade County Product Control Division that this product or material fails to meet the requirements of the applicable building code. This product is approved as described herein, and has been designed to comply with the Florida Building Code, including the High Velocity Hurricane Zone.

**DESCRIPTION: Series "Pro-Tech 7" Aluminum Curtain Wall System – S.M.I.**

**APPROVAL DOCUMENT:** Drawing No. **W07-51**, titled "Pro-Tech 7 Alum Curtain Wall System (S.M.I.)", sheets 1 through 15 of 15, dated 05/29/07, with revision A dated 03/02/10, prepared by Al-Farooq Corporation, signed and sealed by Javad Ahmad, P.E., bearing the Miami-Dade County Product Control Revision stamp with the Notice of Acceptance number and expiration date by the Miami-Dade County Product Control Division.

**MISSILE IMPACT RATING: Small Missile Impact Resistant**

**LABELING:** Each unit shall bear a permanent label with the manufacturer's name or logo, city, state and following statement: "Miami-Dade County Product Control Approved", unless otherwise noted herein.

**RENEWAL** of this NOA shall be considered after a renewal application has been filed and there has been no change in the applicable building code negatively affecting the performance of this product.

**TERMINATION** of this NOA will occur after the expiration date or if there has been a revision or change in the materials, use, and/or manufacture of the product or process. Misuse of this NOA as an endorsement of any product, for sales, advertising or any other purposes shall automatically terminate this NOA. Failure to comply with any section of this NOA shall be cause for termination and removal of NOA.

**ADVERTISEMENT:** The NOA number preceded by the words Miami-Dade County, Florida, and followed by the expiration date may be displayed in advertising literature. If any portion of the NOA is displayed, then it shall be done in its entirety.

**INSPECTION:** A copy of this entire NOA shall be provided to the user by the manufacturer or its distributors and shall be available for inspection at the job site at the request of the Building Official. This NOA revises NOA # 07-0625.01 and consists of this page 1 and evidence pages E-1 and E-2, as well as approval document mentioned above.

The submitted documentation was reviewed by **Manuel Perez, P.E.**



NOA No. 10-0412.04  
Expiration Date: June 26, 2013  
Approval Date: June 02, 2010  
Page 1

Crawford Tracey Corporation

NOTICE OF ACCEPTANCE: EVIDENCE SUBMITTED

A. DRAWINGS

1. Manufacturer's die drawings and sections.
2. Drawing No. **W07-51**, titled "Pro-Tech 7 Alum Curtain Wall System (S.M.I.)", sheets 1 through 15 of 15, dated 05/29/07, with revision A dated 03/02/10, prepared by Al-Farooq Corporation, signed and sealed by Javad Ahmad, P.E.

B. TESTS

1. Test reports on:
  - 1) Air Infiltration Test, per FBC, TAS 202-94
  - 2) Uniform Static Air Pressure Test, Loading per FBC TAS 202-94
  - 3) Water Resistance Test, per FBC, TAS 202-94
  - 4) Large Missile Impact Test per FBC, TAS 201-94
  - 5) Small Missile Impact Test per FBC, TAS 201-94
  - 6) Cyclic Wind Pressure Loading per FBC, TAS 203-94

along with marked-up drawings and installation diagram of an Aluminum Curtain Wall System, prepared by American Test Lab of South Florida, Test Reports No. **ATL-0912.01-05**, dated 01/31/06, signed and sealed by William R. Mehner, P.E. and Henry Hattem, P.E.

*(Submitted under previous NOA # 07-0625.01)*

2. Test reports on:
  - 1) Air Infiltration Test, per FBC, TAS 202-94
  - 2) Uniform Static Air Pressure Test, Loading per FBC TAS 202-94
  - 3) Water Resistance Test, per FBC, TAS 202-94
  - 4) Large Missile Impact Test per FBC, TAS 201-94
  - 5) Small Missile Impact Test per FBC, TAS 201-94
  - 6) Cyclic Wind Pressure Loading per FBC, TAS 203-94

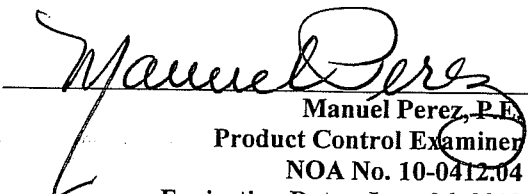
along with marked-up drawings and installation diagram of an Aluminum Curtain Wall System, prepared by American Test Lab of South Florida, Test Reports No. **ATL-1115.01-01**, dated 02/13/02, **ATL-0521.01-02** and **ATL-0719.02-02**, dated 09/11/02 and **ATL-1129.01-04**, dated 01/05/05, all signed and sealed by William R. Mehner, P.E. and Henry Hattem, P.E.

*(Submitted under previous NOA # 03-0314.01)*

C. CALCULATIONS

1. Anchor verification calculations and structural analysis, complying with FBC-2007, prepared by Al-Farooq Corporation, dated 2/26/10, signed and sealed by Javad Ahmad, P.E.

**Complies with ASTM E1300-02/04**

  
Manuel Perez, P.E.  
Product Control Examiner

NOA No. 10-0412.04

Expiration Date: June 26, 2013

Approval Date: June 02, 2010

Crawford Tracey Corporation

NOTICE OF ACCEPTANCE: EVIDENCE SUBMITTED

**D. QUALITY ASSURANCE**

1. Miami Dade Building Code Compliance Office (BCCO).

**E. MATERIAL CERTIFICATIONS**

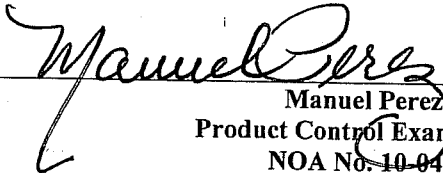
1. Notice of Acceptance No. **05-1208.02** issued to **E.I. DuPont DeNemours & Co., Inc.** for their "**DuPont Butacite PVB Interlayer**" dated 01/05/06, expiring on 12/11/10.

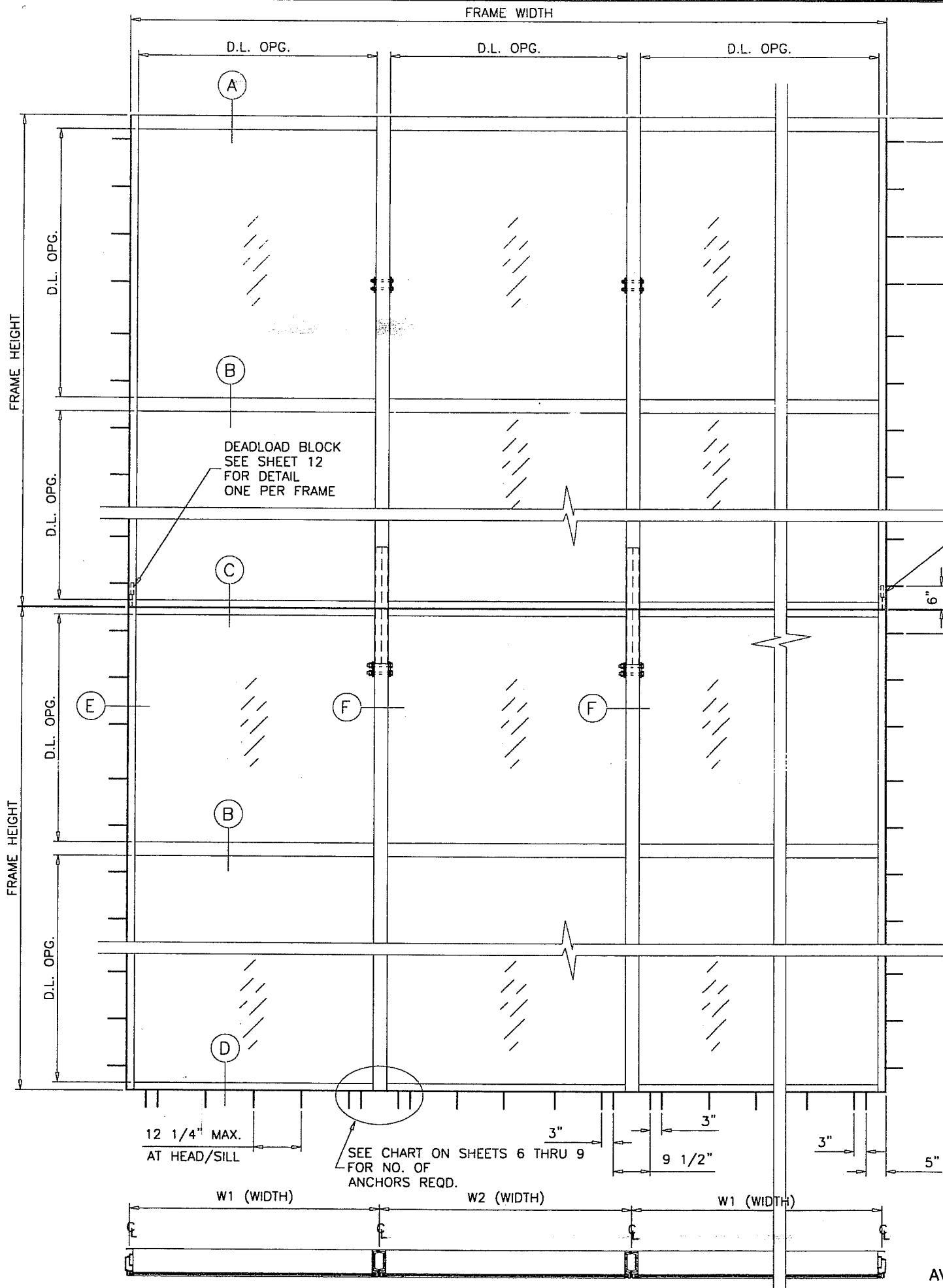
**F. STATEMENTS**

1. Statement letter of conformance and no financial interest, dated February 26, 2010, signed and sealed by Javad Ahmad, P.E.
2. Laboratory compliance letter for Test Report No. **ATLSF-0912.01-05**, issued by American Test Lab of South Florida, dated 01/31/06, signed and sealed by William R. Mehner, P.E. and Henry Hattem, P.E.
3. Laboratory compliance letter for Test Report No. **ATLSF-1129.01-04**, issued by American Test Lab of South Florida, dated 01/05/05, signed and sealed by William R. Mehner, P.E.
4. Laboratory compliance letter for Test Report No. **ATLSF-0719.02-02**, issued by American Test Lab of South Florida, dated 09/11/02, signed and sealed by William R. Mehner, P.E.
5. Laboratory compliance letter for Test Report No. **ATLSF-0521.01-02**, issued by American Test Lab of South Florida, dated 09/11/02, signed and sealed by William R. Mehner, P.E. and Henry Hattem, P.E.
6. Laboratory compliance letter for Test Report No. **ATLSF-1115.01-01**, issued by American Test Lab of South Florida, dated 02/13/02, signed and sealed by William R. Mehner, P.E. and Henry Hattem, P.E.

**G. OTHER**

1. Notice of Acceptance No. **07-0625.01**, issued to Crawford Tracey Corporation for their Series "Pro-Tech 7" Aluminum Curtain Wall System – S.M.I., approved on 03/06/08 and expiring on 06/26/13.

  
Manuel Perez, P.E.  
Product Control Examiner  
NOA No. 10-0412.04  
Expiration Date: June 26, 2013  
Approval Date: June 02, 2010

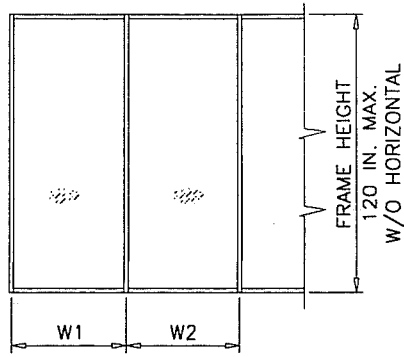


TYPICAL ELEVATION

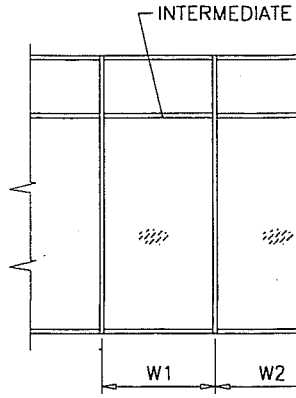
AV

MULLION LOAD CAPACITY - PSF  
SINGLE SPANS  
(WITH OR WITHOUT INTERMEDIATE HORIZONTALS)

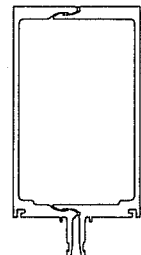
NOMINAL DIMS.		WITHOUT REINFORCING	
WIDTH (W)	FRAME HEIGHT	EXT.(+)	INT.(-)
36"	72"	120.0	170.0
39"		120.0	170.0
42"		120.0	170.0
45"		120.0	170.0
48"		120.0	170.0
51"		120.0	170.0
54"		120.0	170.0
57"		120.0	170.0
60"		120.0	170.0
63"	120.0	170.0	
36"	78"	120.0	170.0
39"		120.0	170.0
42"		120.0	170.0
45"		120.0	170.0
48"		120.0	170.0
51"		120.0	170.0
54"		120.0	170.0
57"		120.0	170.0
36"	84"	120.0	170.0
39"		120.0	170.0
42"		120.0	170.0
45"		120.0	170.0
48"		120.0	170.0
51"		120.0	170.0
54"		120.0	170.0
36"	90"	120.0	170.0
39"		120.0	170.0
42"		120.0	170.0
45"		120.0	170.0
48"		120.0	170.0
36"	96"	120.0	170.0
39"		120.0	170.0
42"		120.0	170.0
45"		120.0	170.0
48"		120.0	170.0
36"	102"	120.0	170.0
39"		120.0	170.0
42"		120.0	170.0
45"		120.0	170.0
36"	106"	120.0	170.0
39"		120.0	170.0
42"		120.0	170.0
44"		120.0	170.0



WIDTH (W) = W1  
AT FRAME JAMB



WIDTH (W) = W1  
AT FRAME MULLION



WITHOUT REINFORCING

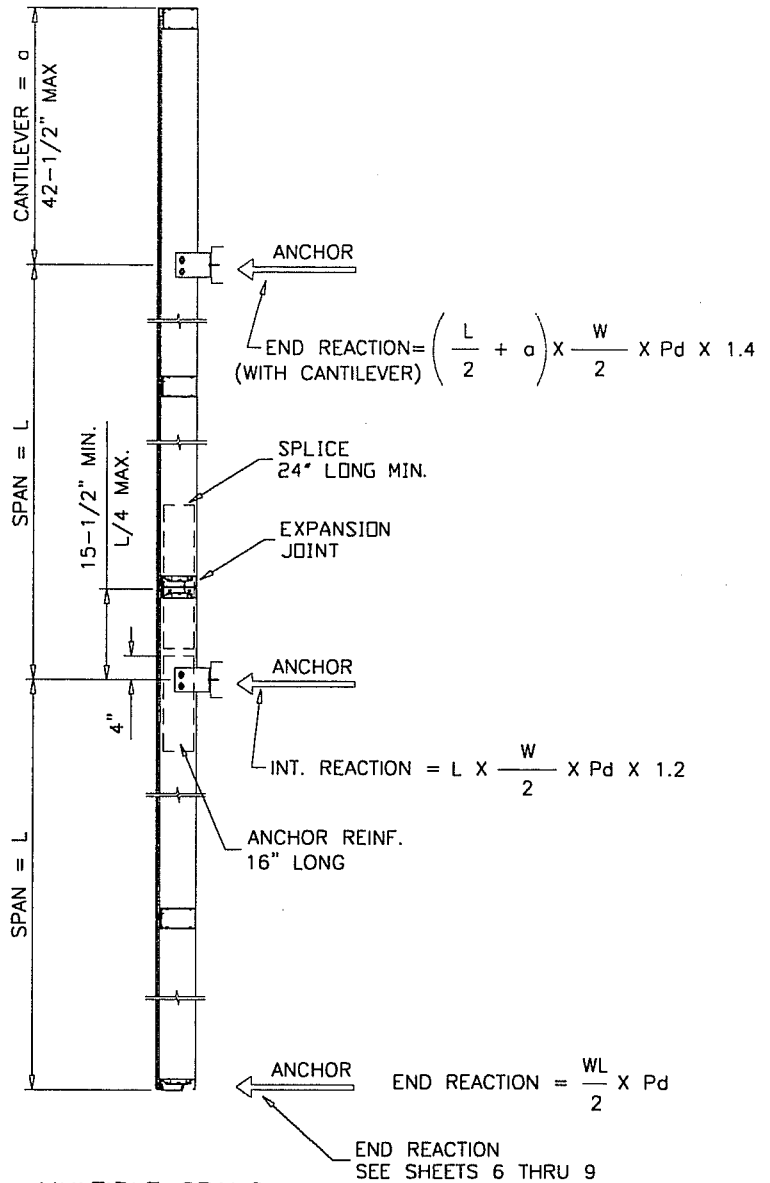
Ix IN <sup>4</sup>	Sx IN <sup>3</sup>
25.0382	6.5475

MULLION LOAD CAPACITY - PSF SINGLE SPANS (WITH OR WITHOUT INTERMEDIATE HORIZONTALS)						
NOMINAL DIMS.		WITHOUT REINFORCING	ONE ALUM REINFORCING	TWO ALUM REINFORCING	STEEL REINFORCING	
WIDTH (W)	FRAME HEIGHT	EXT.(+)/INT.(-)	EXT.(+)/INT.(-)	EXT.(+)/INT.(-)	EXT.(+)	INT.(-)
36"	108"	120.0	120.0	120.0	120.0	135.0
39"		120.0	120.0	120.0	120.0	135.0
42"		120.0	120.0	120.0	120.0	135.0
45"		120.0	120.0	120.0	120.0	135.0
48"		120.0	120.0	120.0	120.0	135.0
51"		120.0	120.0	120.0	120.0	135.0
54"		120.0	120.0	120.0	120.0	135.0
57"		120.0	120.0	120.0	120.0	135.0
60"		120.0	120.0	120.0	120.0	135.0
63"		120.0	120.0	120.0	120.0	135.0
66"		120.0	120.0	120.0	120.0	135.0
69"		120.0	120.0	120.0	120.0	135.0
72"	120.0	120.0	120.0	120.0	135.0	
36"	114"	120.0	120.0	120.0	120.0	135.0
39"		120.0	120.0	120.0	120.0	135.0
42"		120.0	120.0	120.0	120.0	135.0
45"		120.0	120.0	120.0	120.0	135.0
48"		120.0	120.0	120.0	120.0	135.0
51"		120.0	120.0	120.0	120.0	135.0
54"		120.0	120.0	120.0	120.0	135.0
57"		120.0	120.0	120.0	120.0	135.0
60"		120.0	120.0	120.0	120.0	135.0
63"		120.0	120.0	120.0	120.0	135.0
66"		120.0	120.0	120.0	120.0	135.0
69"		120.0	120.0	120.0	120.0	135.0
72"	118.8	118.8	118.8	120.0	135.0	
36"	120"	120.0	120.0	120.0	120.0	135.0
39"		120.0	120.0	120.0	120.0	135.0
42"		120.0	120.0	120.0	120.0	135.0
45"		120.0	120.0	120.0	120.0	135.0
48"		120.0	120.0	120.0	120.0	135.0
51"		120.0	120.0	120.0	120.0	135.0
54"		120.0	120.0	120.0	120.0	135.0
57"		120.0	120.0	120.0	120.0	135.0
60"		120.0	120.0	120.0	120.0	135.0
63"		120.0	120.0	120.0	120.0	135.0
66"		120.0	120.0	120.0	120.0	135.0
69"		117.8	117.8	117.8	120.0	135.0
72"	112.9	112.9	112.9	120.0	135.0	
36"	126"	120.0	120.0	120.0	120.0	135.0
39"		120.0	120.0	120.0	120.0	135.0
42"		120.0	120.0	120.0	120.0	135.0
45"		120.0	120.0	120.0	120.0	135.0
48"		120.0	120.0	120.0	120.0	135.0
51"		120.0	120.0	120.0	120.0	135.0
54"		120.0	120.0	120.0	120.0	135.0
57"		120.0	120.0	120.0	120.0	135.0
60"		120.0	120.0	120.0	120.0	135.0
63"		120.0	120.0	120.0	120.0	135.0
66"		115.9	117.3	117.3	120.0	135.0
69"		110.8	112.2	112.2	120.0	135.0
72"	106.2	107.5	107.5	120.0	135.0	

MULLION LOAD CAPACITY - PSF SINGLE SPANS (WITH OR WITHOUT INTERMEDIATE HORIZONTALS)			
NOMINAL DIMS.		WITHOUT REINFORCING	ONE ALUM REINFORCING
WIDTH (W)	FRAME HEIGHT	EXT.(+)/INT.(-)	EXT.(+)/INT.(-)
36"	132"	120.0	120.0
39"		120.0	120.0
42"		120.0	120.0
45"		120.0	120.0
48"		120.0	120.0
51"		120.0	120.0
54"		120.0	120.0
57"		116.7	120.0
60"		110.9	120.0
63"		105.6	117.3
66"		100.8	112.0
69"		96.4	107.1
72"	92.4	102.6	
36"	138"	120.0	120.0
39"		120.0	120.0
42"		120.0	120.0
45"		120.0	120.0
48"		120.0	120.0
51"		114.1	120.0
54"		107.8	120.0
57"		102.1	120.0
60"		97.0	117.8
63"		92.4	112.2
66"		88.2	107.1
69"		84.4	102.4
72"	80.8	98.2	
36"	144"	120.0	120.0
39"		120.0	120.0
42"		120.0	120.0
45"		113.9	120.0
48"		106.7	120.0
51"		100.5	120.0
54"		94.9	120.0
57"		89.9	114.0
60"		85.4	108.3
63"		81.3	103.1
66"		77.6	98.4
69"		74.3	94.1
72"	71.2	90.2	
36"	150"	120.0	120.0
39"		116.2	120.0
42"		107.9	120.0
45"		100.7	120.0
48"		94.4	119.7
51"		88.9	112.7
54"		83.9	106.4
57"		79.5	100.8
60"		75.5	95.8
63"		72.0	91.2
66"		68.7	87.1
69"		65.7	83.3
72"	63.0	79.8	

MULLION LOAD CAPACITY - PSF  
MULTIPLE SPANS

AVERAGE MULL SPACING	SPAN = L	WITHOUT REINFORCING	WITH ANCHOR REINF.
		EXT.(+)/INT.(-)	EXT.(+)/INT.(-)
36"	120"	120.0	120.0
42"		120.0	120.0
48"		120.0	120.0
54"		120.0	120.0
60"		120.0	120.0
66"		120.0	120.0
72"		117.4	117.4
36"	126"	120.0	120.0
42"		120.0	120.0
48"		120.0	120.0
54"		120.0	120.0
60"		120.0	120.0
66"		120.0	120.0
72"		110.9	110.9
36"	132"	120.0	120.0
42"		120.0	120.0
48"		120.0	120.0
54"		120.0	120.0
60"		120.0	120.0
66"		114.8	114.8
72"		105.2	105.2
36"	138"	120.0	120.0
42"		120.0	120.0
48"		120.0	120.0
54"		120.0	120.0
60"		120.0	120.0
66"		109.2	109.2
72"		100.1	100.1
36"	144"	120.0	120.0
42"		120.0	120.0
48"		120.0	120.0
54"		120.0	120.0
60"		110.2	114.5
66"		100.2	104.1
72"		91.9	95.4
36"	150"	120.0	120.0
42"		120.0	120.0
48"		120.0	120.0
54"		112.1	120.0
60"		100.9	109.5
66"		91.7	99.5
72"		84.1	91.2
36"	156"	120.0	120.0
42"		120.0	120.0
48"		115.8	120.0
54"		102.9	116.5
60"		92.6	104.9
66"		84.2	95.3
36"	162"	120.0	120.0
42"		120.0	120.0
48"		106.8	120.0
54"		94.9	111.8
60"		85.4	100.6
66"		77.6	91.5
36"	168"	120.0	120.0
42"		112.9	120.0
48"		98.8	120.0
54"		87.8	107.5
60"		79.0	96.8



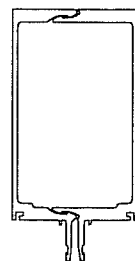
MULTIPLE SPANS

MULTIPLE SPANS WITH OR WITHOUT CANTILEVER  
USE TABLE ON THIS SHEET.

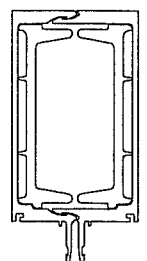
UNEQUAL SPANS TO BE

END REACTIONS MAY CH  
EXPANSION JOINT AND L  
WORST CONDITION SHOW

Ix IN <sup>4</sup>	Sx IN <sup>3</sup>
25.0382	6.5475



WITHOUT REINFORCING



WITH ANCHOR REINFORCING  
LENGTH = 16" OR 24" AT ANCHOR LOC.

GLASS LOAD CAPACITY - PSF		
NOMINAL DIMS.		GLASS TYPE 'C'
D.L.O. WIDTH	D.L.O. HEIGHT	EXT. (+) INT. (-)
30"	54"	185.0
33"		185.0
36"		185.0
39"		185.0
42"		185.0
45"		185.0
48"		120.0
51"		120.0
54"		120.0
57"		120.0
60"		120.0
63"		120.0
66"		120.0
69"		120.0
30"	60"	185.0
33"		185.0
36"		185.0
39"		185.0
42"		120.0
45"		120.0
48"		120.0
51"		120.0
54"		120.0
57"		120.0
60"		120.0
63"		120.0
66"		120.0
69"		120.0
30"	66"	185.0
33"		185.0
36"		185.0
42"		120.0
45"		120.0
48"		120.0
51"		120.0
54"		120.0
57"		120.0
60"		120.0
63"		120.0
66"		120.0
69"		120.0
30"		72"
33"	185.0	
42"	120.0	
45"	120.0	
48"	120.0	
51"	120.0	
54"	120.0	
57"	120.0	
60"	120.0	
63"	120.0	
66"	120.0	
69"	120.0	

GLASS LOAD CAPACITY - PSF			
NOMINAL DIMS.		GLASS TYPE 'C'	
D.L.O. WIDTH	D.L.O. HEIGHT	EXT. (+) INT. (-)	
42"	78"	120.0	
45"		120.0	
48"		120.0	
51"		120.0	
54"		120.0	
57"		120.0	
60"		120.0	
63"		120.0	
66"		120.0	
69"		120.0	
42"		84"	120.0
45"			120.0
48"			120.0
51"			120.0
54"	120.0		
57"	120.0		
60"	120.0		
63"	120.0		
66"	120.0		
69"	120.0		
30"	90"		120.0
33"			120.0
36"			120.0
39"			120.0
42"		120.0	
45"		120.0	
48"		120.0	
51"		120.0	
54"		120.0	
57"		120.0	
60"		120.0	
63"		117.3	
66"		114.5	
69"		114.5	
30"	96"	120.0	
33"		120.0	
36"		120.0	
39"		120.0	
42"		120.0	
45"		120.0	
48"		120.0	
51"		120.0	
54"		120.0	
57"		120.0	
60"		116.4	
63"		112.9	
66"		110.1	
69"		108.0	

GLASS LOAD CAPACITY - PSF			
NOMINAL DIMS.		GLASS TYPE 'C'	
D.L.O. WIDTH	D.L.O. HEIGHT	EXT. (+) INT. (-)	
30"	102"	120.0	
33"		120.0	
36"		120.0	
39"		120.0	
42"		120.0	
45"		120.0	
48"		120.0	
51"		120.0	
54"		118.5	
57"		113.4	
60"		109.2	
63"		105.9	
66"		103.2	
69"		101.3	
30"	108"	120.0	
33"		120.0	
36"		120.0	
39"		120.0	
42"		120.0	
45"		120.0	
48"		120.0	
51"		117.7	
54"		111.8	
57"		106.4	
60"		100.9	
63"		98.8	
66"		96.9	
30"		114"	120.0
33"	120.0		
36"	120.0		
39"	120.0		
42"	120.0		
45"	120.0		
48"	119.5		
51"	111.9		
54"	105.6		
57"	97.9		
60"	95.3		
63"	93.3		
42"	120"		120.0
45"			120.0
48"		114.1	
51"		106.6	
54"		98.5	
57"		94.0	
60"		92.2	
42"		126"	120.0
45"			119.1
48"			109.7
51"			102.4
54"			95.2
57"			90.6

GLASS LOAD CAPACITY - PSF		
NOMINAL DIMS.		GLASS TYPE 'C'
D.L.O. WIDTH	D.L.O. HEIGHT	EXT. (+) INT. (-)
42"	132"	120.0
45"		120.0
48"		120.0
51"		9
54"		9
42"	138"	120.0
45"		120.0
48"		10
51"		9
54"		9
42"	144"	120.0
45"		11
48"		10
51"		9
54"		9
42"	150"	120.0
45"		10
48"		10
51"		9
54"		9

ANCHOR LOAD CAPACITY - PSF EXT.(+) & INT.(-)								
NOMINAL DIMS.		ANCHORS TYPE 'A'			ANCHORS TYPE 'B'		ANCHORS TYPE 'C'	
WIDTH (W)	FRAME HEIGHT	A3	A4	A5	B2	B3	C2	C3
36"	72"	185.0	185.0	185.0	185.0	185.0	185.0	185.0
39"		185.0	185.0	185.0	185.0	185.0	185.0	185.0
42"		185.0	185.0	185.0	185.0	185.0	185.0	185.0
45"		185.0	185.0	185.0	185.0	185.0	185.0	185.0
48"		182.0	185.0	185.0	185.0	185.0	185.0	185.0
51"		171.3	185.0	185.0	180.3	185.0	185.0	185.0
54"		173.3	185.0	185.0	170.3	185.0	185.0	185.0
57"		164.2	185.0	185.0	161.3	185.0	185.0	185.0
60"		156.0	185.0	185.0	167.2	185.0	185.0	185.0
63"		148.6	185.0	185.0	159.2	185.0	185.0	185.0
66"		151.3	179.6	185.0	152.0	185.0	185.0	185.0
69"		144.7	171.8	185.0	157.5	185.0	185.0	185.0
72"		138.7	173.3	185.0	150.9	185.0	185.0	185.0
36"		78"	185.0	185.0	185.0	185.0	185.0	185.0
39"	185.0		185.0	185.0	185.0	185.0	185.0	185.0
42"	185.0		185.0	185.0	183.7	185.0	185.0	185.0
45"	179.2		185.0	185.0	171.5	185.0	185.0	185.0
48"	168.0		185.0	185.0	176.8	185.0	185.0	185.0
51"	158.1		185.0	185.0	166.4	185.0	185.0	185.0
54"	160.0		185.0	185.0	157.2	185.0	185.0	185.0
57"	151.6		181.9	185.0	148.9	185.0	185.0	185.0
60"	144.0		182.4	185.0	154.3	185.0	185.0	185.0
63"	137.1		173.7	185.0	147.0	183.7	183.7	185.0
66"	139.6		165.8	185.0	140.3	185.0	185.0	185.0
69"	133.6		158.6	185.0	145.4	178.9	178.9	185.0
72"	128.0		160.0	184.0	139.3	171.5	171.5	185.0
36"	84"		185.0	185.0	185.0	185.0	185.0	185.0
39"		178.3	185.0	185.0	183.7	185.0	185.0	185.0
42"		178.3	185.0	185.0	170.6	185.0	185.0	185.0
45"		166.4	185.0	185.0	159.2	185.0	185.0	185.0
48"		156.0	185.0	185.0	164.2	185.0	185.0	185.0
51"		146.8	185.0	185.0	154.6	185.0	185.0	185.0
54"		148.6	178.3	185.0	146.0	185.0	185.0	185.0
57"		140.8	168.9	185.0	138.3	185.0	185.0	185.0
60"		133.7	169.4	185.0	143.3	179.1	179.1	185.0
63"		127.3	161.3	185.0	136.5	170.6	170.6	185.0
66"		129.7	154.0	185.0	130.3	173.7	173.7	185.0
69"		124.0	147.3	178.3	135.0	166.2	166.2	185.0
72"		118.9	148.6	170.9	129.4	159.2	159.2	182.5
36"		90"	180.3	185.0	185.0	185.0	185.0	185.0
39"	166.4		185.0	185.0	171.5	185.0	185.0	185.0
42"	166.4		185.0	185.0	159.2	185.0	185.0	185.0
45"	155.3		185.0	185.0	148.6	185.0	185.0	185.0
48"	145.6		185.0	185.0	153.3	185.0	185.0	185.0
51"	137.0		176.2	185.0	144.3	183.6	183.6	185.0
54"	138.7		166.4	185.0	136.2	185.0	185.0	185.0
57"	131.4		157.6	185.0	129.1	176.0	176.0	185.0
60"	124.8		158.1	183.0	133.8	167.2	167.2	185.0
63"	118.9		150.6	174.3	127.4	159.2	159.2	182.5
66"	121.0		143.7	174.0	121.6	162.1	162.1	185.0
69"	115.8		137.5	166.4	126.0	155.1	155.1	177.7
72"	110.9		138.7	159.5	120.8	148.6	148.6	170.3

ANCHOR LOAD CAPACITY - EXT.(+) & INT.(-)					
NOMINAL DIMS.		ANCHORS TYPE 'A'			
WIDTH (W)	FRAME HEIGHT	A3	A4	A5	
36"	96"	169.0	185.0	185.0	17
39"		156.0	185.0	185.0	16
42"		156.0	185.0	185.0	14
45"		145.6	176.8	185.0	13
48"		136.5	175.5	185.0	14
51"		128.5	165.2	185.0	13
54"		130.0	156.0	185.0	12
57"		123.2	147.8	180.6	12
60"		117.0	148.2	171.6	12
63"		111.4	141.1	163.4	11
66"		113.5	134.7	163.1	11
69"		108.5	128.9	156.0	11
72"		104.0	130.0	149.5	11
36"		102"	159.1	185.0	185.0
39"	146.8		185.0	185.0	15
42"	146.8		178.3	185.0	14
45"	137.0		166.4	185.0	13
48"	128.5		165.2	185.0	13
51"	120.9		155.5	181.4	12
54"	122.4		146.8	179.5	12
57"	115.9		139.1	170.0	11
60"	110.1		139.5	161.5	11
63"	104.9		132.8	153.8	11
66"	106.8		126.8	153.5	10
69"	102.1		121.3	146.8	11
72"	97.9		122.4	140.7	10

SEE SHEET 7 FOR LARGER HEIGHTS

ANCHORS TYPES: SEE SHEET

A3 = (3) ANCHORS TYPE

A4 = (4) ANCHORS TYPE

A5 = (5) ANCHORS TYPE

B2 = (2) ANCHORS TYPE

B3 = (3) ANCHORS TYPE

C2 = (2) ANCHORS TYPE

C3 = (3) ANCHORS TYPE

ALL OTHER ANCHORS TO

ANCHOR LOAD CAPACITY - PSF  
EXT.(+) & INT.(-)

NOMINAL DIMS.		ANCHORS TYPE 'A'			ANCHORS TYPE 'B'		ANCHORS TYPE 'C'	
WIDTH (W)	FRAME HEIGHT	A3	A4	A5	B2	B3	C2	C3
36"	108"	135.0	135.0	135.0	135.0	135.0	135.0	135.0
39"		135.0	135.0	135.0	135.0	135.0	135.0	135.0
42"		135.0	135.0	135.0	132.7	135.0	135.0	135.0
45"		129.4	135.0	135.0	123.9	135.0	135.0	135.0
48"		121.3	135.0	135.0	127.7	135.0	135.0	135.0
51"		114.2	135.0	135.0	120.2	135.0	135.0	135.0
54"		115.6	135.0	135.0	113.5	135.0	135.0	135.0
57"		109.5	131.4	135.0	107.6	135.0	135.0	135.0
60"		104.0	131.7	135.0	111.5	135.0	135.0	135.0
63"		99.0	125.5	135.0	106.2	135.0	135.0	135.0
66"		100.8	119.8	135.0	101.3	135.0	135.0	135.0
69"		96.5	114.6	135.0	105.0	129.2	129.2	135.0
72"	92.4	115.6	132.9	100.6	123.9	123.9	135.0	
36"	114"	135.0	135.0	135.0	135.0	135.0	135.0	135.0
39"		131.4	135.0	135.0	135.0	135.0	135.0	135.0
42"		131.4	135.0	135.0	125.7	135.0	135.0	135.0
45"		122.6	135.0	135.0	117.3	135.0	135.0	135.0
48"		114.9	135.0	135.0	121.0	135.0	135.0	135.0
51"		108.2	135.0	135.0	113.9	135.0	135.0	135.0
54"		109.5	131.4	135.0	107.6	135.0	135.0	135.0
57"		103.7	124.5	135.0	101.9	135.0	135.0	135.0
60"		98.5	124.8	135.0	105.6	132.0	132.0	135.0
63"		93.8	118.9	135.0	100.6	125.7	125.7	135.0
66"		95.5	113.5	135.0	96.0	128.0	128.0	135.0
69"		91.4	108.5	131.4	99.5	122.4	122.4	135.0
72"	87.6	109.5	125.9	95.3	117.3	117.3	134.5	
36"	120"	135.0	135.0	135.0	135.0	135.0	135.0	135.0
39"		124.8	135.0	135.0	128.6	135.0	135.0	135.0
42"		124.8	135.0	135.0	119.4	135.0	135.0	135.0
45"		116.5	135.0	135.0	111.5	135.0	135.0	135.0
48"		109.2	135.0	135.0	115.0	135.0	135.0	135.0
51"		102.8	132.1	135.0	108.2	135.0	135.0	135.0
54"		104.0	124.8	135.0	102.2	135.0	135.0	135.0
57"		98.5	118.2	135.0	96.8	132.0	132.0	135.0
60"		93.6	118.6	135.0	100.3	125.4	125.4	135.0
63"		89.1	112.9	130.7	95.5	119.4	119.4	135.0
66"		90.8	107.8	130.5	91.2	121.6	121.6	135.0
69"		86.8	103.1	124.8	94.5	116.3	116.3	133.3
72"	83.2	104.0	119.6	90.6	111.5	111.5	127.7	
36"	126"	128.8	135.0	135.0	132.7	135.0	135.0	135.0
39"		118.9	135.0	135.0	122.5	135.0	135.0	135.0
42"		118.9	135.0	135.0	113.7	135.0	135.0	135.0
45"		110.9	134.7	135.0	106.2	135.0	135.0	135.0
48"		104.0	133.7	135.0	109.5	135.0	135.0	135.0
51"		97.9	125.8	135.0	103.0	131.1	131.1	135.0
54"		99.0	118.9	135.0	97.3	132.7	132.7	135.0
57"		93.8	112.6	135.0	92.2	125.7	125.7	135.0
60"		89.1	112.9	130.7	95.5	119.4	119.4	135.0
63"		84.9	107.5	124.5	91.0	113.7	113.7	130.3
66"		86.4	102.6	124.3	86.9	115.8	115.8	132.7
69"		82.7	98.2	118.9	90.0	110.8	110.8	126.9
72"	79.2	99.0	113.9	86.3	106.2	106.2	121.7	

ANCHOR LOAD CAPACITY -  
EXT.(+) & INT.(-)

NOMINAL DIMS.		ANCHORS TYPE 'A'		
WIDTH (W)	FRAME HEIGHT	A3	A4	A5
36"	132"	122.9	135.0	135.0
39"		113.5	135.0	135.0
42"		113.5	135.0	135.0
45"		105.9	128.6	135.0
48"		99.3	127.6	135.0
51"		93.4	120.1	135.0
54"		94.5	113.5	135.0
57"		89.6	107.5	131.4
60"		85.1	107.8	124.8
63"		81.0	102.6	118.9
66"		82.5	98.0	118.6
69"		78.9	93.7	113.5
72"	75.6	94.5	108.7	
36"	138"	117.6	135.0	135.0
39"		108.5	135.0	135.0
42"		108.5	131.8	135.0
45"		101.3	123.0	135.0
48"		95.0	122.1	135.0
51"		89.4	114.9	134.1
54"		90.4	108.5	132.6
57"		85.7	102.8	125.7
60"		81.4	103.1	119.4
63"		77.5	98.2	113.7
66"		78.9	93.7	113.5
69"		75.5	89.6	108.5
72"	72.3	90.4	104.0	
36"	144"	112.7	135.0	135.0
39"		104.0	135.0	135.0
42"		104.0	126.3	135.0
45"		97.1	117.9	135.0
48"		91.0	117.0	135.0
51"		85.6	110.1	128.5
54"		86.7	104.0	127.1
57"		82.1	98.5	120.4
60"		78.0	98.8	114.4
63"		74.3	94.1	109.0
66"		75.6	89.8	108.7
69"		72.3	85.9	104.0
72"	69.3	86.7	99.7	
36"	150"	108.2	135.0	135.0
39"		99.8	130.6	135.0
42"		99.8	121.2	135.0
45"		93.2	113.2	135.0
48"		87.4	112.3	131.0
51"		82.2	105.7	123.3
54"		83.2	99.8	122.0
57"		78.8	94.6	115.6
60"		74.9	94.8	109.8
63"		71.3	90.3	104.6
66"		72.6	86.2	104.4
69"		69.5	82.5	99.8
72"	66.6	83.2	95.7	

ANCHOR LOAD CAPACITY - PSF  
EXT.(+) & INT.(-)

NOMINAL DIMS.		4 ANCHORS PER PLATE TYPE 'D'		6 ANCHORS PER PLATE TYPE 'D'	
WIDTH (W)	FRAME HEIGHT	3-1/4"	4"	3-1/4"	4"
		EDGE DIST.	EDGE DIST.	EDGE DIST.	EDGE DIST.
36"	72"	185.0	185.0	185.0	185.0
39"		185.0	185.0	185.0	185.0
42"		185.0	185.0	185.0	185.0
45"		185.0	185.0	185.0	185.0
48"		185.0	185.0	185.0	185.0
51"		185.0	185.0	185.0	185.0
54"		185.0	185.0	185.0	185.0
57"		181.6	185.0	185.0	185.0
60"		172.5	185.0	185.0	185.0
63"		164.3	185.0	185.0	185.0
36"	78"	185.0	185.0	185.0	185.0
39"		185.0	185.0	185.0	185.0
42"		185.0	185.0	185.0	185.0
45"		185.0	185.0	185.0	185.0
48"		185.0	185.0	185.0	185.0
51"		185.0	185.0	185.0	185.0
54"		177.0	185.0	185.0	185.0
57"		167.6	185.0	185.0	185.0
36"	84"	185.0	185.0	185.0	185.0
39"		185.0	185.0	185.0	185.0
42"		185.0	185.0	185.0	185.0
45"		185.0	185.0	185.0	185.0
48"		184.9	185.0	185.0	185.0
51"		174.0	185.0	185.0	185.0
54"		164.3	185.0	185.0	185.0
36"	90"	185.0	185.0	185.0	185.0
39"		185.0	185.0	185.0	185.0
42"		185.0	185.0	185.0	185.0
45"		184.0	185.0	185.0	185.0
48"		172.5	185.0	185.0	185.0
51"		162.4	185.0	185.0	185.0
36"	96"	185.0	185.0	185.0	185.0
39"		185.0	185.0	185.0	185.0
42"		184.9	185.0	185.0	185.0
45"		172.5	185.0	185.0	185.0
48"		161.8	185.0	185.0	185.0
36"	102"	185.0	185.0	185.0	185.0
39"		185.0	185.0	185.0	185.0
42"		174.0	185.0	185.0	185.0
45"		162.4	185.0	185.0	185.0
36"	106"	185.0	185.0	185.0	185.0
39"		180.3	185.0	185.0	185.0
42"		167.4	185.0	185.0	185.0
44"		159.8	185.0	185.0	185.0

SEE SHEET 9 FOR LARGER HEIGHTS

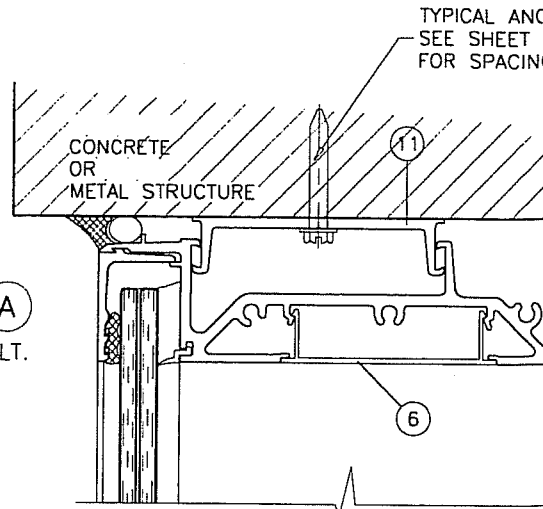
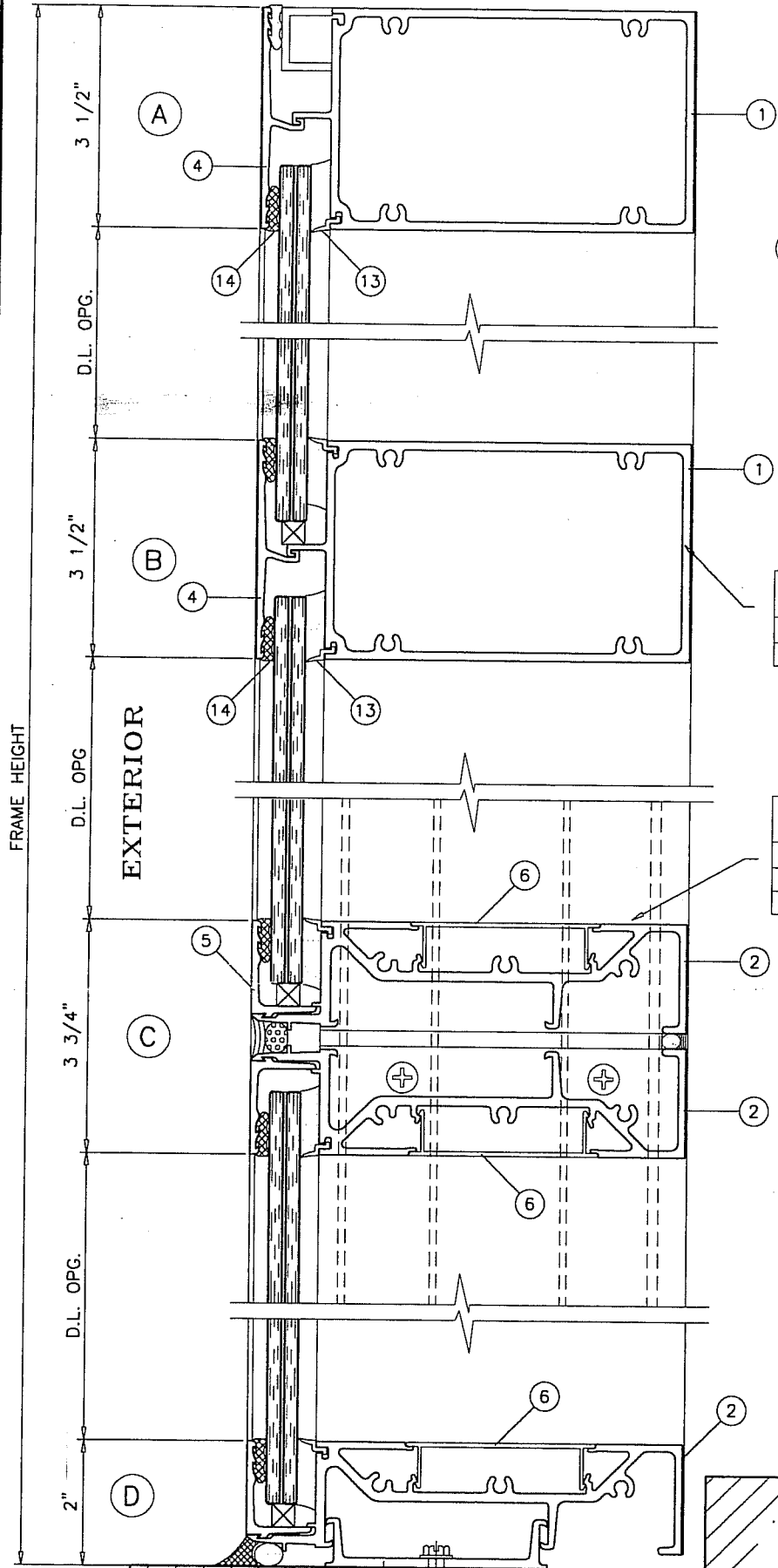
ANCHOR LOAD CAPACITY - PSF  
EXT.(+) & INT.(-)

NOMINAL DIMS.		4 ANCHORS PER PLATE TYPE 'D'		6 ANCHORS PER PLATE TYPE 'D'	
WIDTH (W)	FRAME HEIGHT	3-1/4" EDGE DIST.	4" EDGE DIST.	3-1/4" EDGE DIST.	4" EDGE DIST.
36"	102"	135.0	135.0	135.0	135.0
39"		135.0	135.0	135.0	135.0
42"		135.0	135.0	135.0	135.0
45"		135.0	135.0	135.0	135.0
48"		135.0	135.0	135.0	135.0
51"		135.0	135.0	135.0	135.0
54"		135.0	135.0	135.0	135.0
57"		128.2	135.0	135.0	135.0
60"		121.8	135.0	135.0	135.0
63"		116.0	135.0	135.0	135.0
66"		110.7	135.0	135.0	135.0
69"		105.9	135.0	135.0	135.0
72"	101.5	129.7	135.0	135.0	
36"	108"	135.0	135.0	135.0	135.0
39"		135.0	135.0	135.0	135.0
42"		135.0	135.0	135.0	135.0
45"		135.0	135.0	135.0	135.0
48"		135.0	135.0	135.0	135.0
51"		135.0	135.0	135.0	135.0
54"		127.8	135.0	135.0	135.0
57"		121.1	135.0	135.0	135.0
60"		115.0	135.0	135.0	135.0
63"		109.5	135.0	135.0	135.0
66"		104.6	133.7	135.0	135.0
69"		100.0	127.8	135.0	135.0
72"	95.9	122.5	135.0	135.0	
36"	114"	135.0	135.0	135.0	135.0
39"		135.0	135.0	135.0	135.0
42"		135.0	135.0	135.0	135.0
45"		135.0	135.0	135.0	135.0
48"		135.0	135.0	135.0	135.0
51"		128.2	135.0	135.0	135.0
54"		121.1	135.0	135.0	135.0
57"		114.7	135.0	135.0	135.0
60"		109.0	135.0	135.0	135.0
63"		103.8	132.7	135.0	135.0
66"		99.1	126.6	135.0	135.0
69"		94.8	121.1	135.0	135.0
72"	90.8	116.1	135.0	135.0	
36"	120"	135.0	135.0	135.0	135.0
39"		135.0	135.0	135.0	135.0
42"		135.0	135.0	135.0	135.0
45"		135.0	135.0	135.0	135.0
48"		129.4	135.0	135.0	135.0
51"		121.8	135.0	135.0	135.0
54"		115.0	135.0	135.0	135.0
57"		109.0	135.0	135.0	135.0
60"		103.5	132.3	135.0	135.0
63"		98.6	126.0	135.0	135.0
66"		94.1	120.3	135.0	135.0
69"		90.0	115.1	135.0	135.0
72"	86.3	110.3	129.4	135.0	

ANCHOR LOAD CAPACITY - PSF  
EXT.(+) & INT.(-)

NOMINAL DIMS.		4 ANCHORS PER PLATE TYPE 'D'		6 ANCHORS PER PLATE TYPE 'D'	
WIDTH (W)	FRAME HEIGHT	3-1/4" EDGE DIST.	4" EDGE DIST.	3-1/4" EDGE DIST.	4" EDGE DIST.
36"	126"	135.0	135.0	135.0	135.0
39"		135.0	135.0	135.0	135.0
42"		135.0	135.0	135.0	135.0
45"		131.5	135.0	135.0	135.0
48"		123.2	135.0	135.0	135.0
51"		116.0	135.0	135.0	135.0
54"		109.5	135.0	135.0	135.0
57"		103.8	132.7	135.0	135.0
60"		98.6	126.0	135.0	135.0
63"		93.9	120.0	135.0	135.0
66"		89.6	114.6	134.4	135.0
69"		85.7	109.6	128.6	135.0
72"	82.2	105.0	123.2	135.0	
36"	132"	135.0	135.0	135.0	135.0
39"		135.0	135.0	135.0	135.0
42"		134.4	135.0	135.0	135.0
45"		125.5	135.0	135.0	135.0
48"		117.6	135.0	135.0	135.0
51"		110.7	135.0	135.0	135.0
54"		104.6	133.7	135.0	135.0
57"		99.1	126.6	135.0	135.0
60"		94.1	120.3	135.0	135.0
63"		89.6	114.6	134.4	135.0
66"		85.6	109.4	128.3	135.0
69"		81.8	104.6	122.8	135.0
72"	78.4	100.2	117.6	135.0	
36"	138"	135.0	135.0	135.0	135.0
39"		135.0	135.0	135.0	135.0
42"		128.6	135.0	135.0	135.0
45"		120.0	135.0	135.0	135.0
48"		112.5	135.0	135.0	135.0
51"		105.9	135.0	135.0	135.0
54"		100.0	127.8	135.0	135.0
57"		94.8	121.1	135.0	135.0
60"		90.0	115.1	135.0	135.0
63"		85.7	109.6	128.6	135.0
66"		81.8	104.6	122.8	135.0
69"		78.3	100.1	117.4	135.0
72"	75.0	95.9	112.5	135.0	
36"	144"	135.0	135.0	135.0	135.0
39"		132.7	135.0	135.0	135.0
42"		123.2	135.0	135.0	135.0
45"		115.0	135.0	135.0	135.0
48"		107.8	135.0	135.0	135.0
51"		101.5	129.7	135.0	135.0
54"		95.9	122.5	135.0	135.0
57"		90.0	116.1	135.0	135.0
60"		86.3	110.3	129.4	135.0
63"		82.2	105.0	123.2	135.0
66"		78.4	100.2	117.6	135.0
69"		75.0	95.9	112.5	135.0

NOMINAL DIMS.
WIDTH (W)
36"
39"
42"
45"
48"
51"
54"
57"
60"
66"
36"
39"
42"
45"
48"
51"
54"
57"
60"
36"
39"
42"
45"
48"
51"
54"
57"
60"



LIMIT MAX. DESIGN LOADS FOR THIS HORIZONTAL AS FOLLOWS

HORIZ. SPAN MAX.	LAM. GLASS
72"	185 PSF

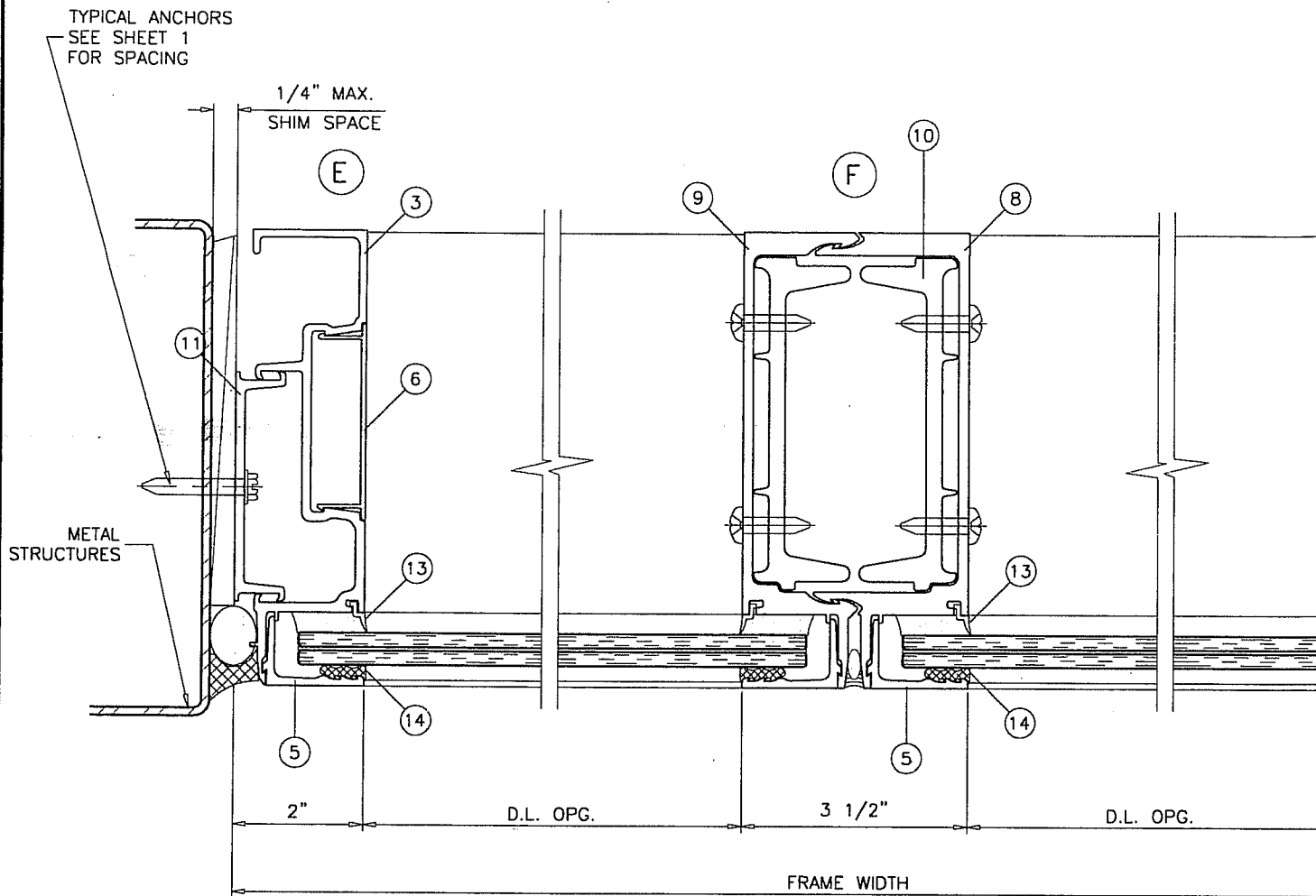
LIMIT MAX. DESIGN LOADS FOR THIS HORIZONTAL AS FOLLOWS

HORIZ. SPAN MAX.	LAM. GLASS
66"	120 PSF
72"	100 PSF

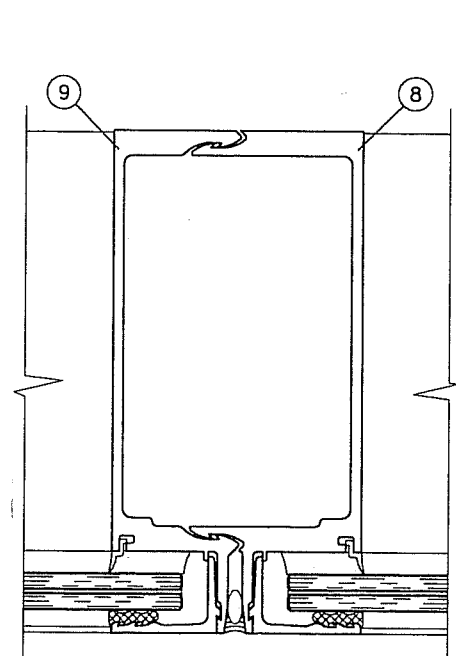
CONCRETE OR METAL STRUCTURE

TYPICAL ANCHORS SEE SHEET 1 FOR SPACING

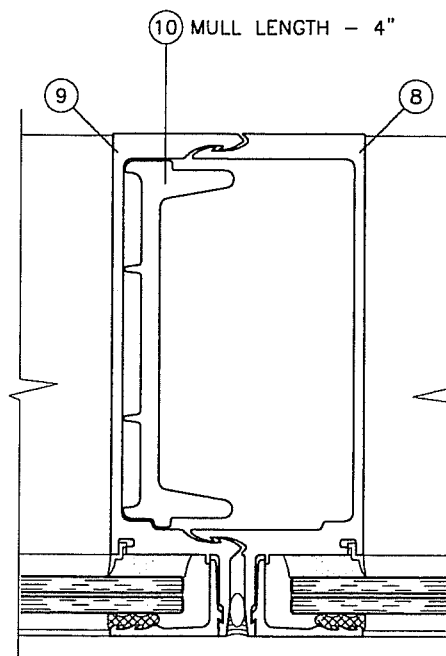
WOOD BUCKS AND MUST SUPPORT LO TRANSFER THEM TO



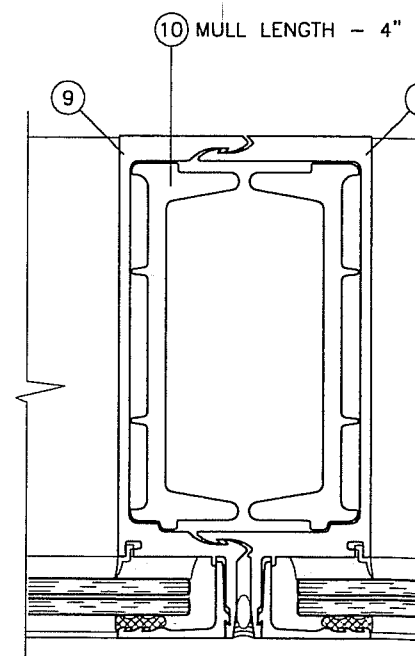
EXTERIOR



SINGLE SPAN MULLION  
WITHOUT REINF.

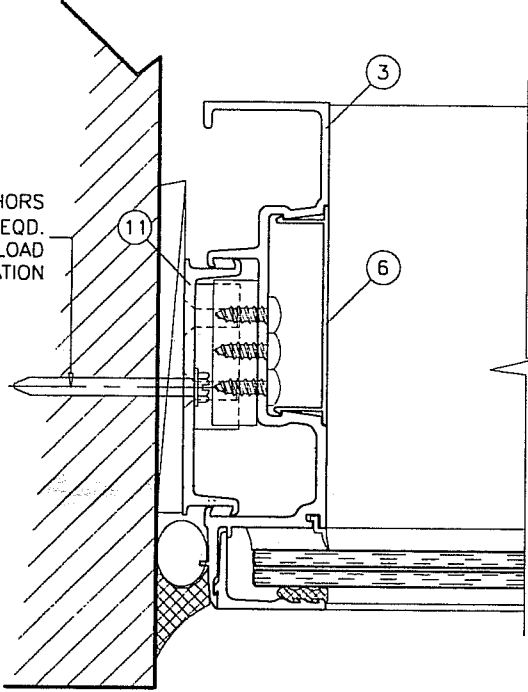


SINGLE SPAN MULLION  
ONE ALUM REINF.

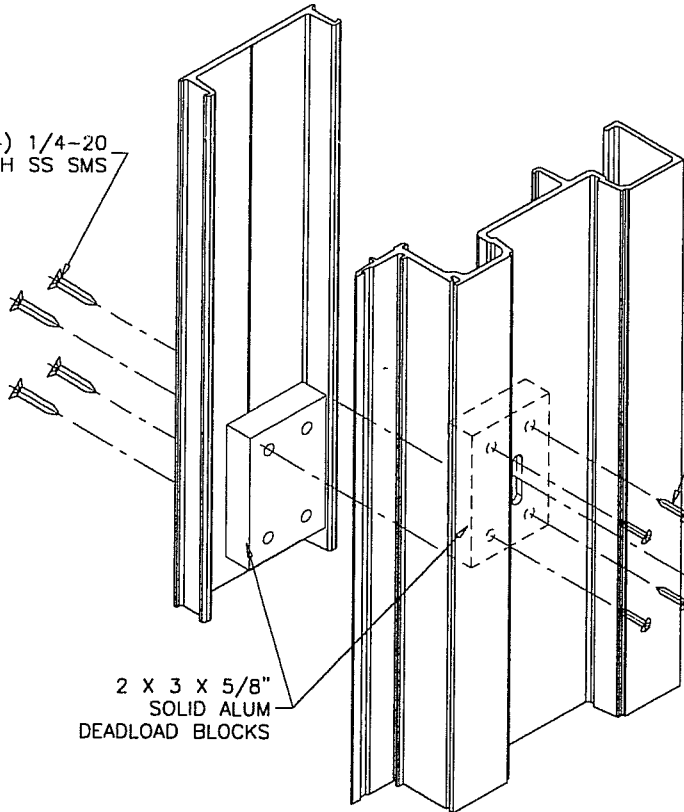


SINGLE SPAN MULLION  
TWO ALUM REINF.

TYPICAL ANCHORS  
 (3) ADDL. REQD.  
 AT DEADLOAD  
 BLOCK LOCATION



(4) 1/4-20  
 FH SS SMS



(4) 1/4-20  
 PH SS SMS  
 1/2" MIN. EDGE DIST.  
 FROM ALUM BLOCK CORNERS

1/4-20 PH SS MS  
 W/ 1" SLOTTED HOLE  
 FOR ADJUSTMENT

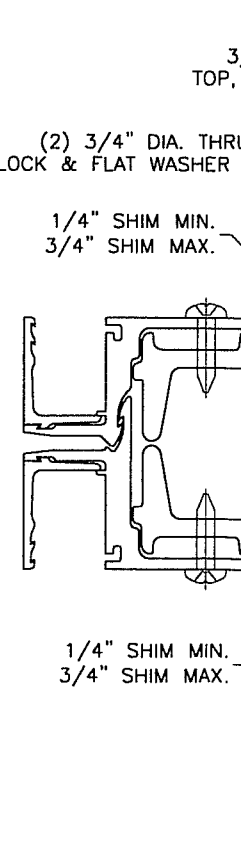
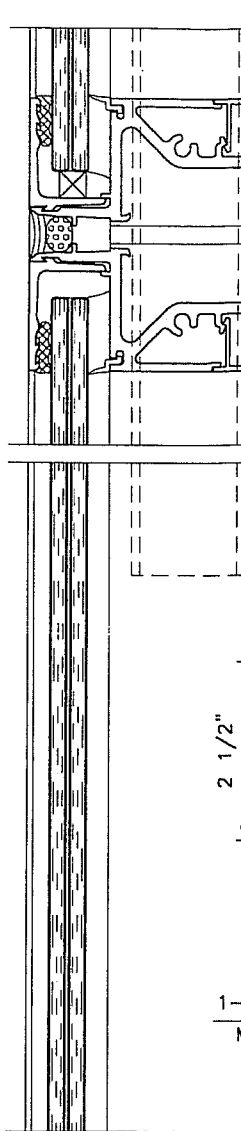
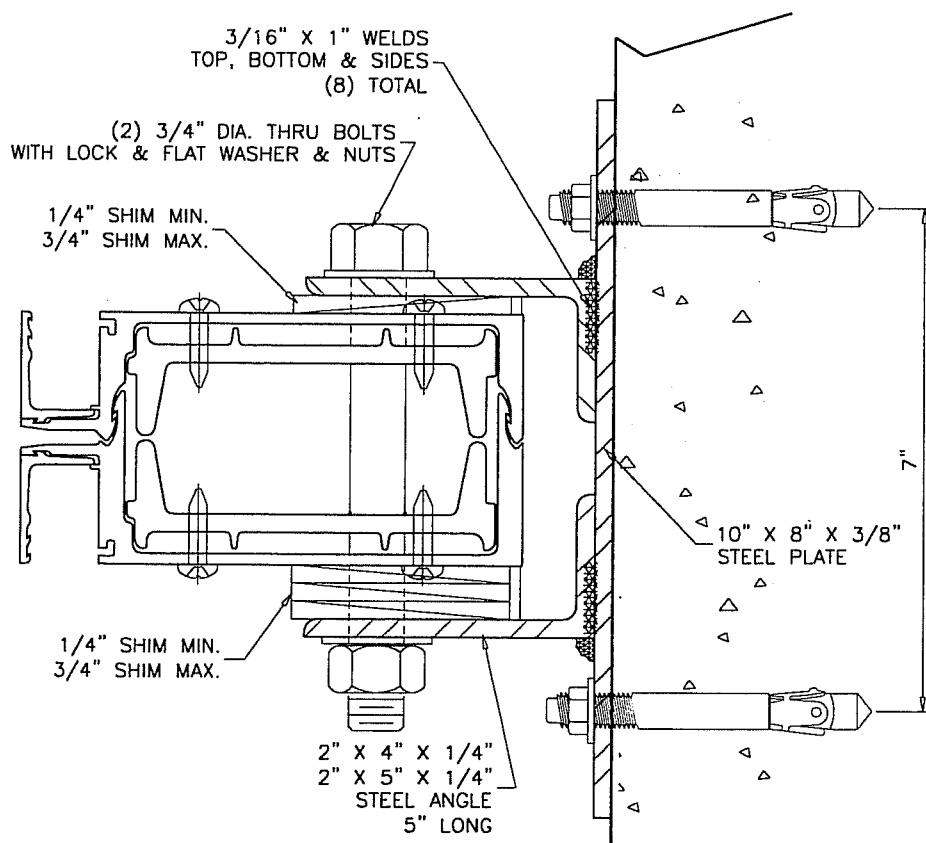
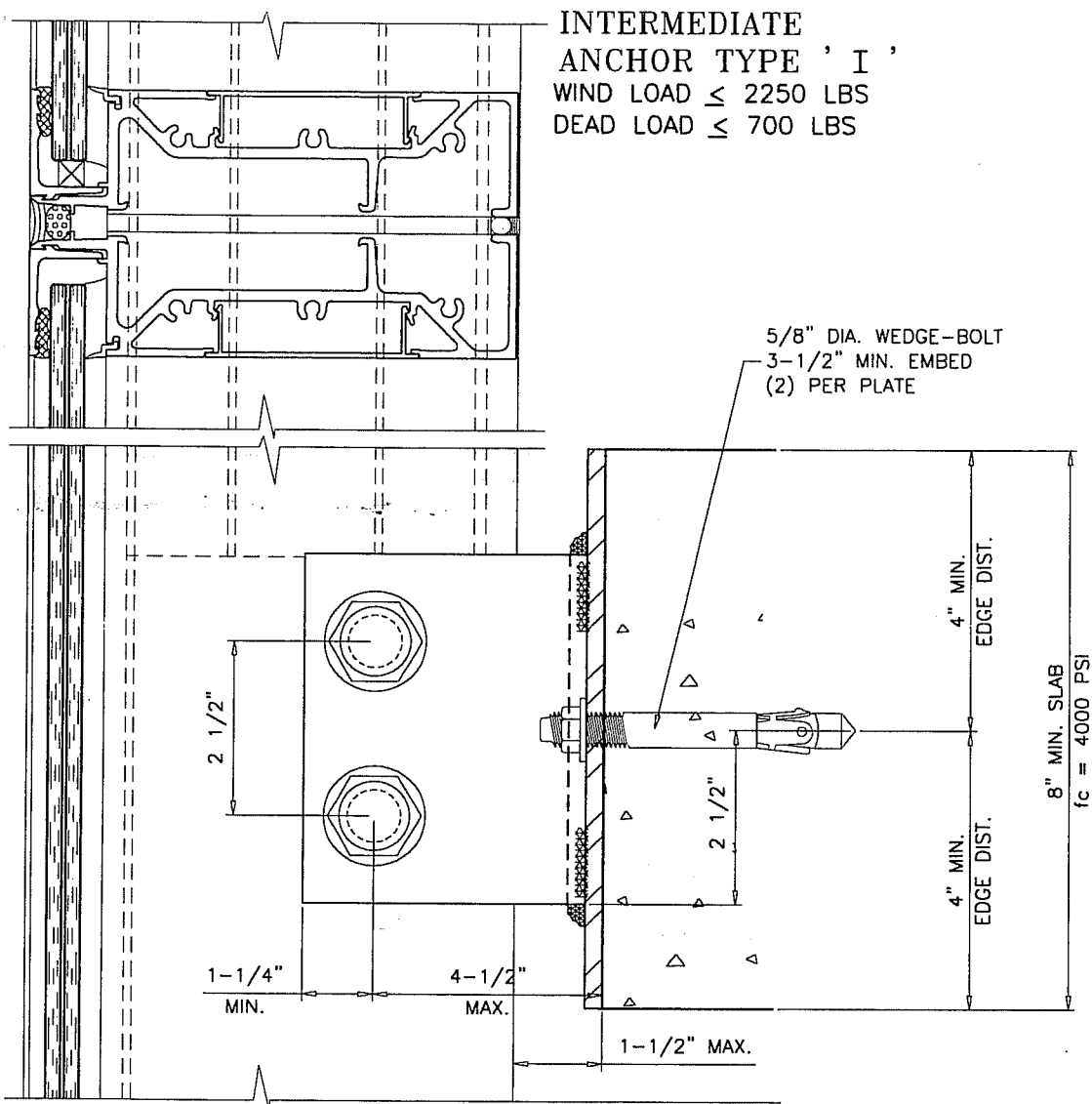
2 X 3 X 5/8"  
 SOLID ALUM  
 DEADLOAD BLOCKS

DEADLOAD BLOCKS DETAIL  
 TYPICAL JAMBS

INTERMEDIATE  
ANCHOR TYPE ' I '

WIND LOAD  $\leq$  2250 LBS

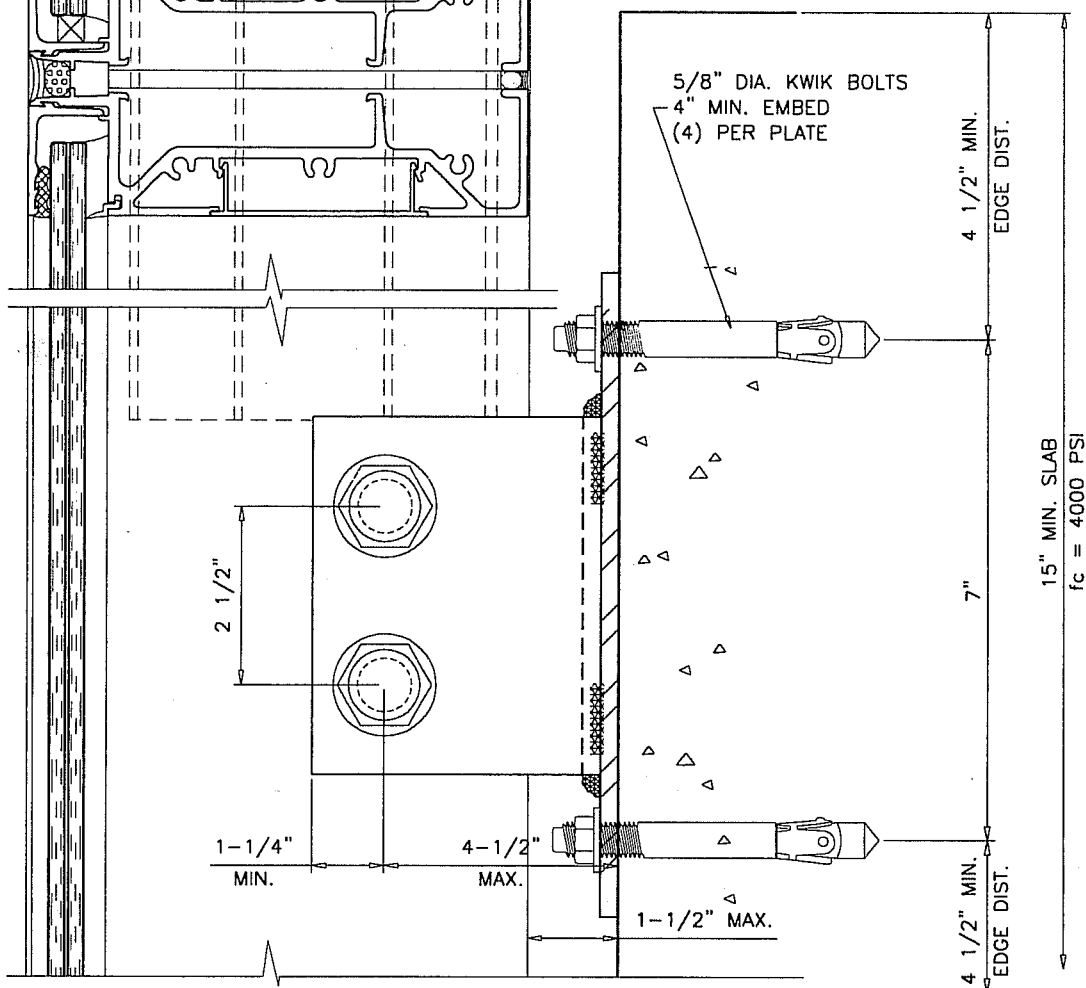
DEAD LOAD  $\leq$  700 LBS



INTERMEDIATE  
ANCHOR TYPE ' III '

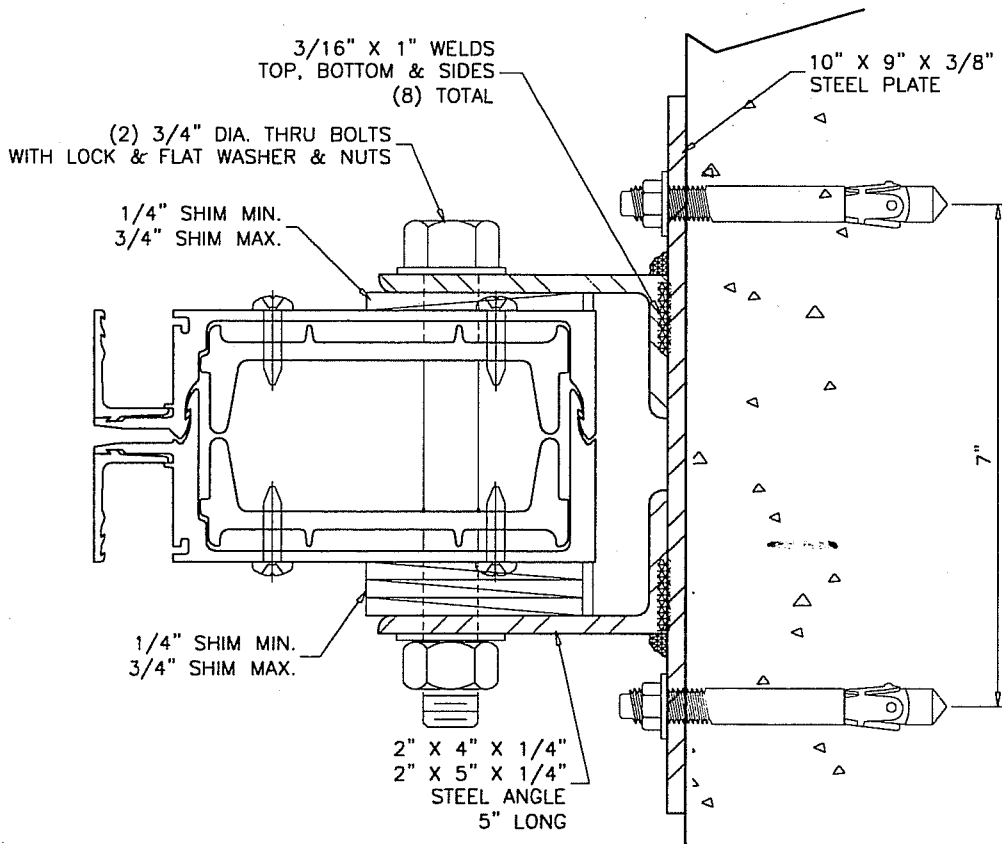
WIND LOAD  $\leq$  7800 LBS

DEAD LOAD  $\leq$  828 LBS



D.L.O. 3 3/4"

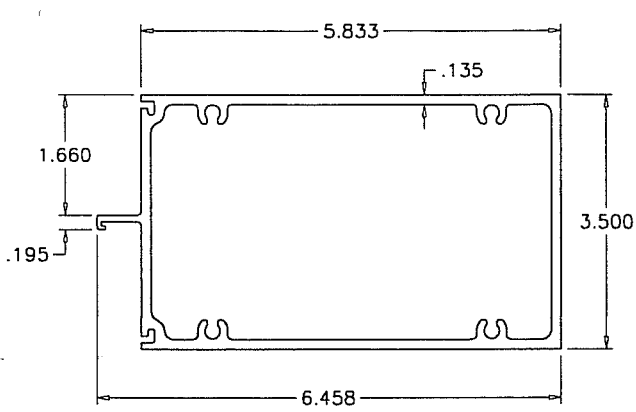
D.L. OPG.



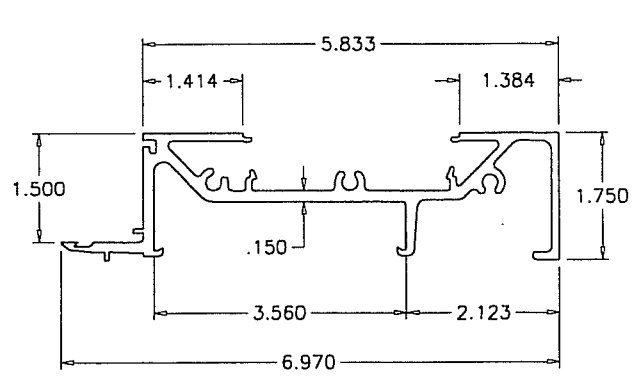
1/3/4"

13,

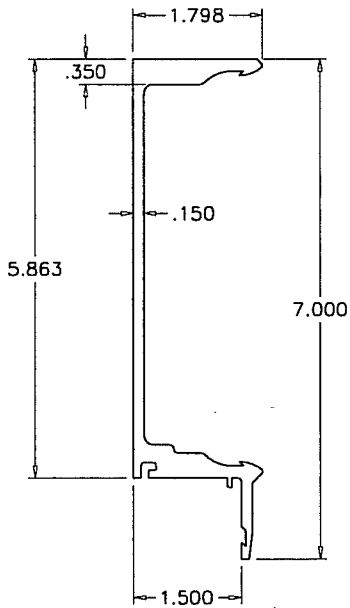
(2) 3/4"  
WITH LOCK & FL



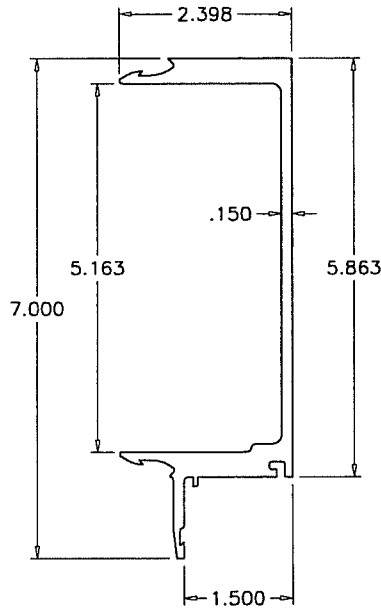
FRAME HEAD/HORIZONTAL



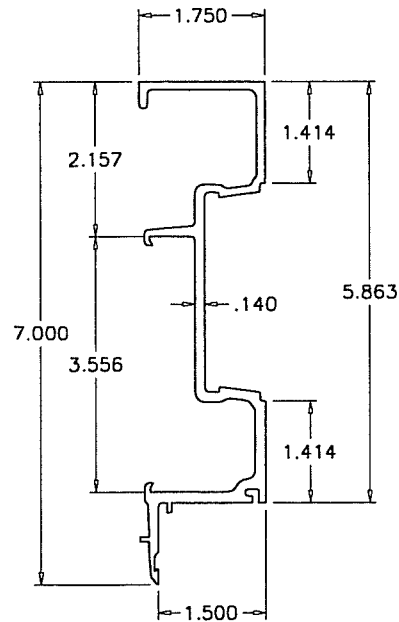
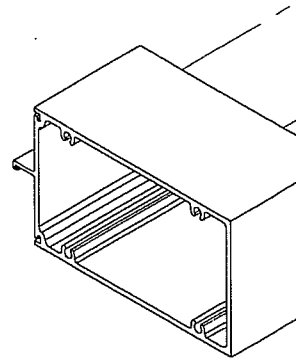
FRAME SILL



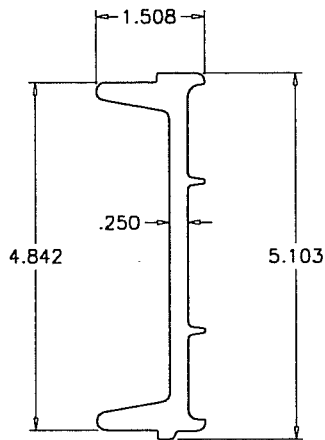
FEMALE MULLION



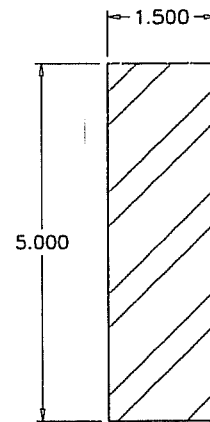
MALE MULLION



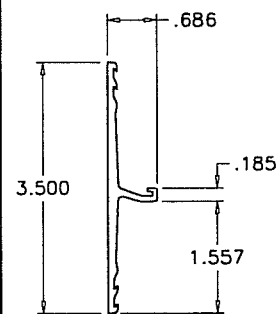
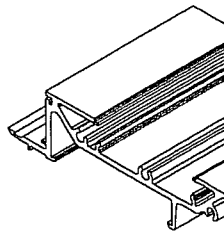
FRAME JAMB



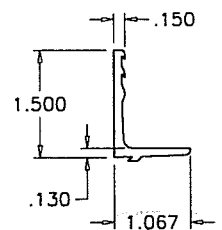
SPLICE  
MULLION REINFORCING  
ANCHOR REINFORCING



STEEL REINFORCING



PRESSURE PLATE



GLASS STOP